

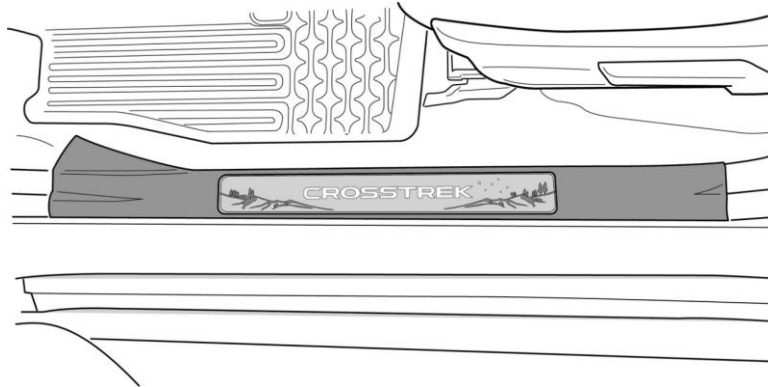


SUBARU

PART NUMBER: H461SFN200

INSTALLATION INSTRUCTIONS

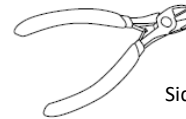
DESCRIPTION: 2024 CROSSTREK Illuminated Side Sill Plates



TOOLS REQUIRED:



TrimTool

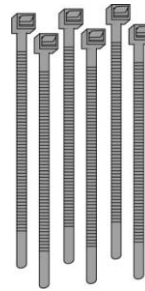


Side Cutters

KIT CONTENTS:



Side Cargo Sill Plate



6 Wire Ties



2 Foam Tapes

MEANING OF CHARACTERS:



: CAUTION – A process that must be carefully observed in order to reduce the risk of damage to the accessory/vehicle and to ensure a quality installation.



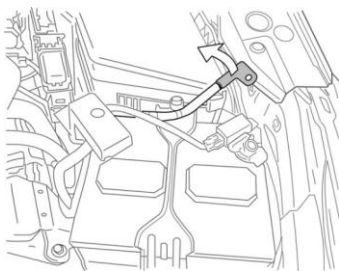
: STOP – Damage to the vehicle may occur. Do not proceed until process has been complied with.



: TOOLS & EQUIPMENT – Specific tools and equipment recommended for this process.

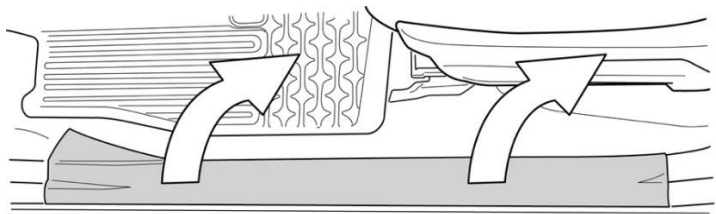
INSTALLATION INSTRUCTIONS

1



Disconnect Negative (-) battery cable from the battery sensor terminal. Hold the battery sensor carefully when removing the 10mm nut.

2



Using Trim Tool, remove driver side side sill plate. Repeat on passenger side

PART NUMBER:
H461SFN200

ISSUE
00

6/29/2022

SUBARU OF AMERICA

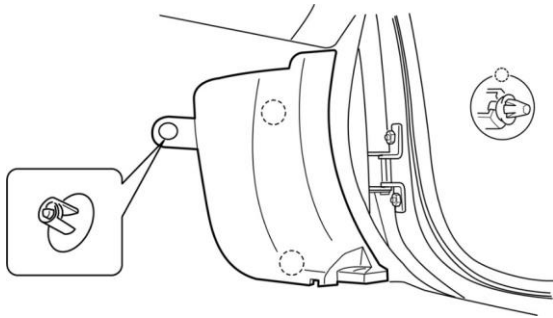
PAGE 1 / 2



INSTALLATION INSTRUCTIONS

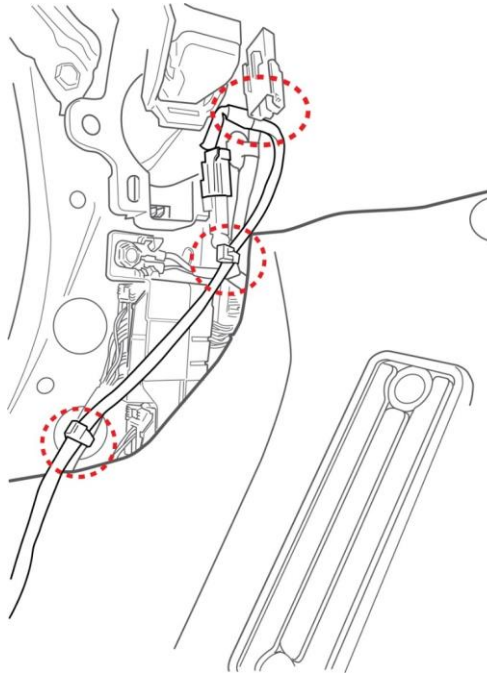
DESCRIPTION: 2024 CROSSTREK Illuminated Side Sill Plates

3



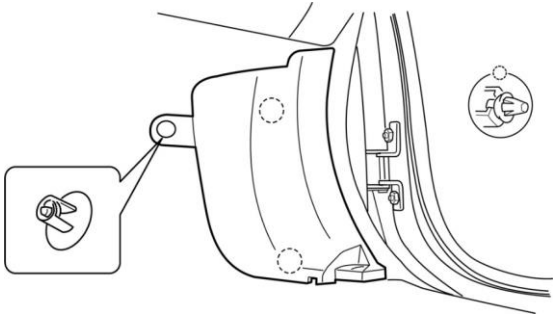
Remove driver side clip and remove the front side sill cover. Repeat on passenger side

4



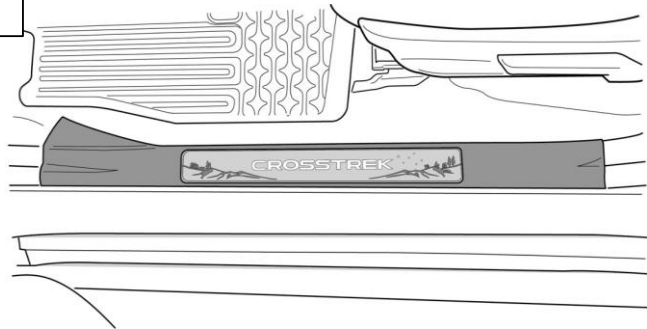
Plug in illuminated side sill into pre-wire connector (1)
Wrap connector with included foam tape
Zip Tie harness in 2 marked locations (2)
Trim the ends of the zip ties.
Repeat on passenger side

5

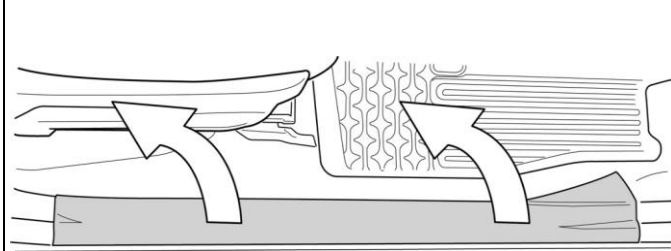


Remove driver side clip and remove the front side sill cover.
Repeat on passenger side

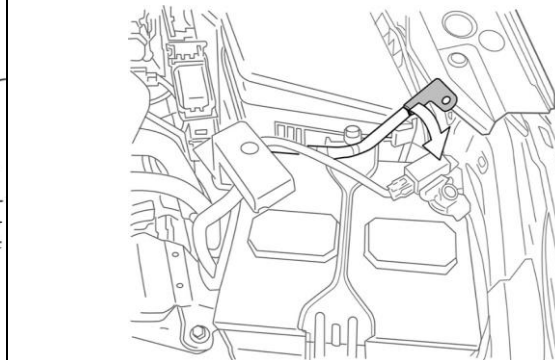
6



Install Illuminated Side Sill panel, ensure all clips have seated correctly and sill is secure
Repeat on passenger side



Repeat steps 1-6 for passenger side.



Connect Negative (-) battery cable to the battery sensor terminal.