



TRUNK SPOILER

INSTALLATION MANUAL

This manual describes how to install and handle the trunk spoiler. Before installing the part, please be sure to read this manual for proper installation.

Precautions

1. Be sure to observe the content in **CAUTION** for installation described in the main text during the work. Neglecting it may cause dropping of or peeling-off on the part, and also may prevent the vehicle from functioning.
2. Before the installation, turn the ignition switch to OFF, and apply the parking brake without fail.
3. Do not use thinner or the like, otherwise the surface of the trunk spoiler may be corroded. Also, keep the spoiler away from fire, otherwise it may be deformed.
4. When the ambient temperature is 15°C or lower, warm up all strips of the double-sided tape and around the installation portion of the trunk panel to approximately 30 to 50°C using a dryer or infrared lamp. Local warming may deform the part. Do not use an industrial dryer.
5. Firmly press the double-sided tape to adhere well.
If it is reattached, the adhesive performance will extremely decrease. To avoid redoing, position the tape correctly before attachment.
6. The adhesive strength of the double-sided tape increases gradually after the attachment.
Do not wash the vehicle within 24 hours after attaching the part.
When washing the vehicle or applying wax to the vehicle is required on the day when the part is attached, leave the vehicle for at least 1 hour, and seal the double-sided tape attached portions with tape or the like to prevent water intrusion.
(Do not perform a high-pressure or automatic car wash on the day when the part is installed.)
7. When performing an air blow after the installation of the part, keep the nozzle 300 mm or more away from the part. If it is too close, the surface of the part may be peeled off.
8. After installing the part, leave it for 2 to 3 hours, and do not drive the vehicle.
9. When a body coating treatment (glass coating, etc.) is applied, the original adhesive strength cannot be exerted. Check if the body coating treatment is applied. Also, remove any dirt or fat and oil from the part installation position on the vehicle without fail, and press fit the part with sufficient force.

<Removal and check method for body coating film>

- Using compound with fine particles (in order not to impair painting), scrub off the coating film in the application area.
- After grinding, sprinkle water using a spray or the like. If the area is no longer water-repellent, the coating film has been removed.

Trunk spoiler

Genuine part number: E7210VC300/ E7210VC200

Applicable model: WRX 2022MY and later

Scope

E7210VC300	With torsion bars, for vehicles without a factory spoiler
E7210VC200	Without torsion bars, for vehicles a factory spoiler

Components

No.	Part name	Qty.	Part No.	
①	Trunk spoiler	1	E7210VC200	E7210VC300
②	Nut	2	E7210VC205	E7210VC300
③	Bolt	2		
④	Clip	2		
⑤	Template R	1	E7210VC206	
⑥	Template L	1		
⑦	Instruction Manual	1		
⑧	Protection seal set (a set of 2 stickers) *1	1		
⑨	THSN BAR RH	1	57529VC020	
⑩	THSN BAR LH	1	57529VC030	

Repair part No.:

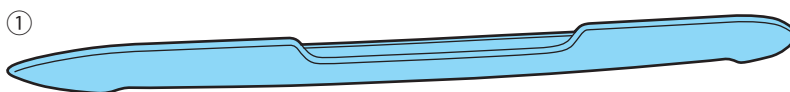
Parts set (E7210VC205): ②×2, ③×2, ④×2

Template set (E7210VC206): ⑤×1, ⑥×1

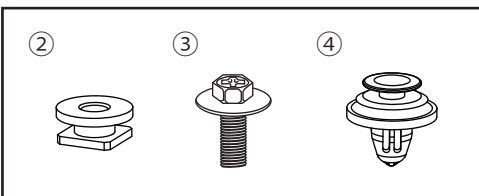
*1: The protection seal set is used only for the installation work to a vehicle with a factory trunk spoiler.

Trunk spoiler with torsion bars (E7210VC300)

Trunk spoiler (E7210VC200)



Parts set (E7210VC205)



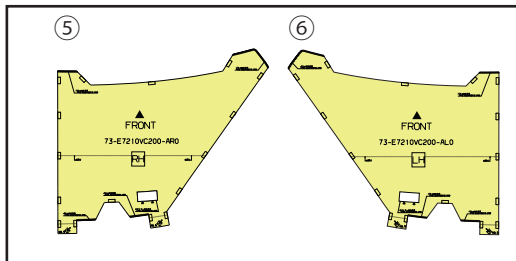
⑦



⑧



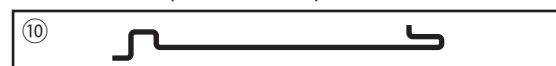
Template set (E7210VC206)



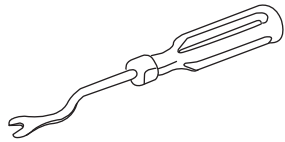
THSN BAR RH (57529VC020)



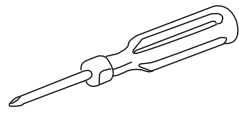
THSN BAR LH (57529VC030)



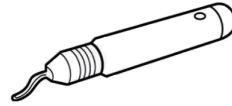
Tools to be used



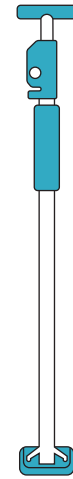
Clip remover



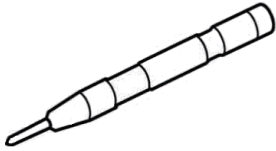
Phillips screwdriver



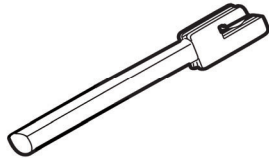
Deburring tool



Adjustable support rod



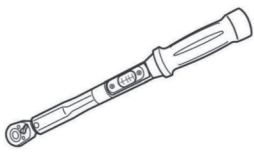
Center punch



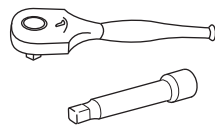
Torsion bar tool



Power drill and
Drill bits(3mm,5mm,8.5mm)



Drive torque wrench



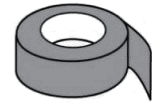
Drive ratchet
and
Extension bar



Socket wrench
(8mm,10mm)



Rust preventative
touch up paint



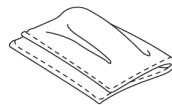
Masking tape



91% or Greater
isopropyl alcohol



Vacuum



Waste cloth

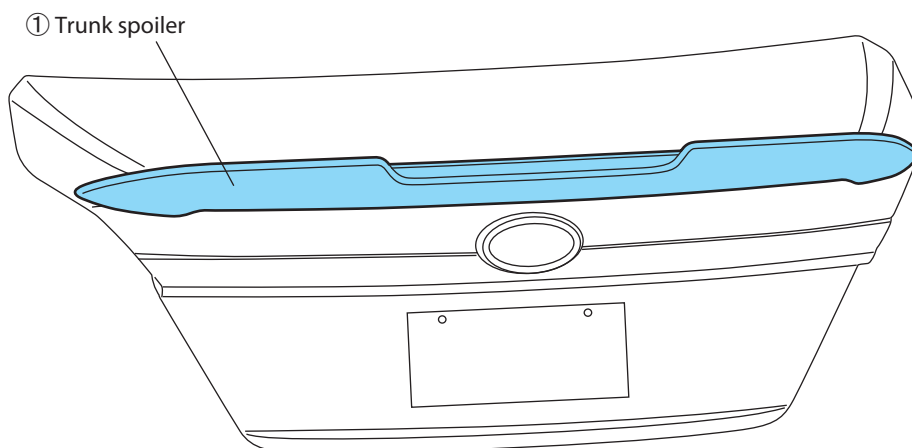


Work glove

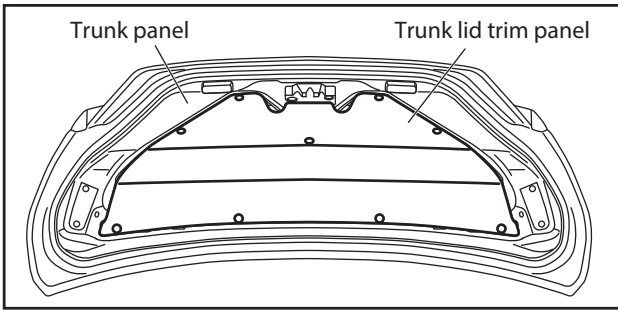


Safety glasses

Completion image



The work described in the following section is applicable to vehicles equipped with the factory trunk spoiler. For other vehicles, start the work from Section 4 on page 5.



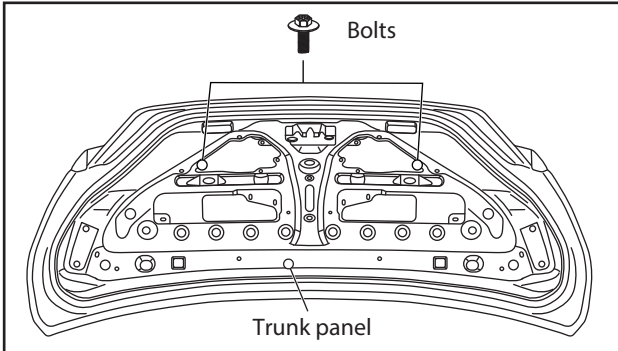
1. Removing trunk lid trim panel and bolts

- (1) Remove the nine clips, and then remove the trunk lid trim panel.

Fixing clip (9 locations)

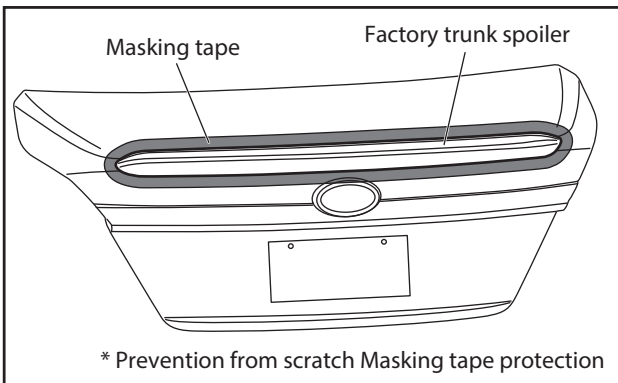


The removed trunk lid trim panel and clips will be reused. Be careful not to damage or lose them.



- (2) Remove the two bolts.

Fixing bolt (2 locations)



2. Removing factory trunk spoiler

- (1) To prevent scratches on the vehicle body during the removing work, apply masking tape for protection as shown in the figure on the left.

- (2) Gently pull the factory spoiler to disengage the four clips.

Fixing clip (4 locations)



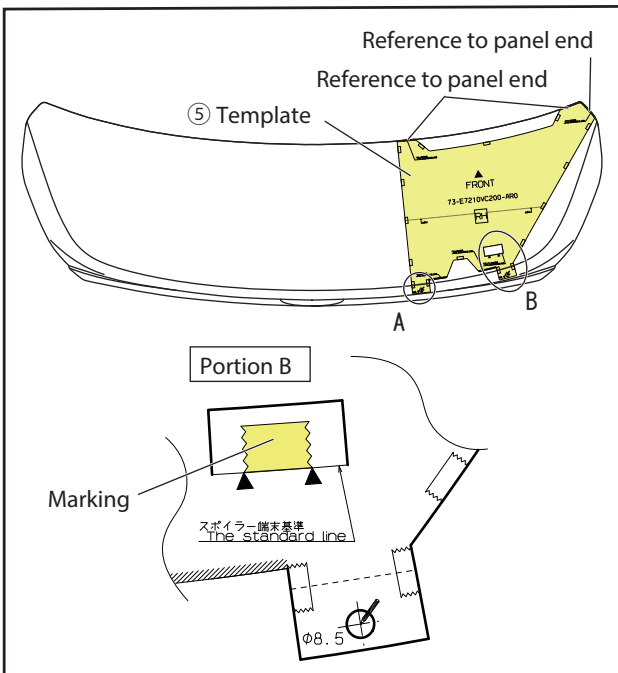
After removing the factory trunk spoiler, check that the 6 holes used for fixing have not been deformed. These holes will be used to install the part.

*The work for the RH side is explained.
Perform the same work for the LH side.

3. Preparation for installation (on vehicle side)

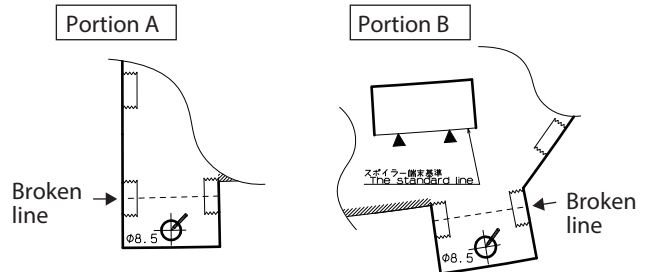


The masking tape attached to the portion B is used to decide the part installation position.



- (1) Referring to the figure on the left, attach the template ⑤ to the exterior panel of the trunk with masking tape or the like.

Enlarged view of template ⑤

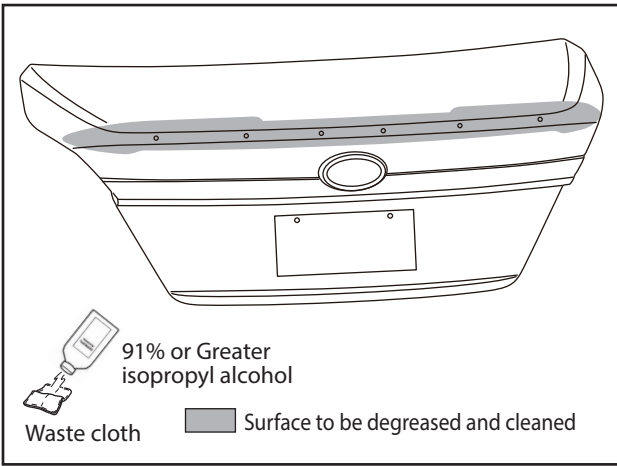


* Fold template along broken line to follow the shape, and fix it with tape.

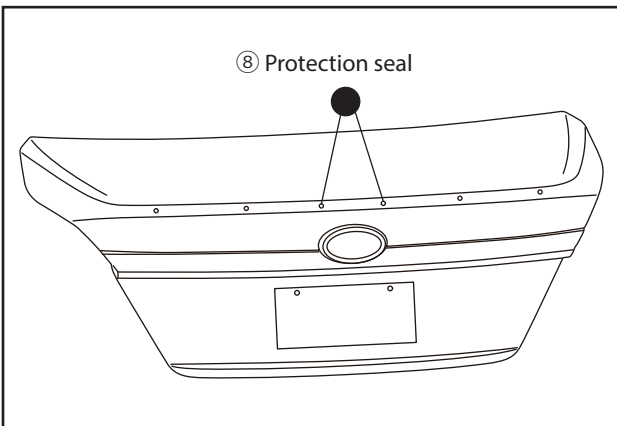
- (2) Referring to the portion B in the figure on the left, make a mark with masking tape or the like at the part installation position.

(2 locations)

- (3) Perform the same work for the LH side.



(4) Referring to the figure on the left, degrease the trunk surface with a waste cloth soaked with a 91% or greater isopropyl alcohol.



(5) Attach the protection seals ⑧ to the positions shown in the figure on the left.

(2 locations)

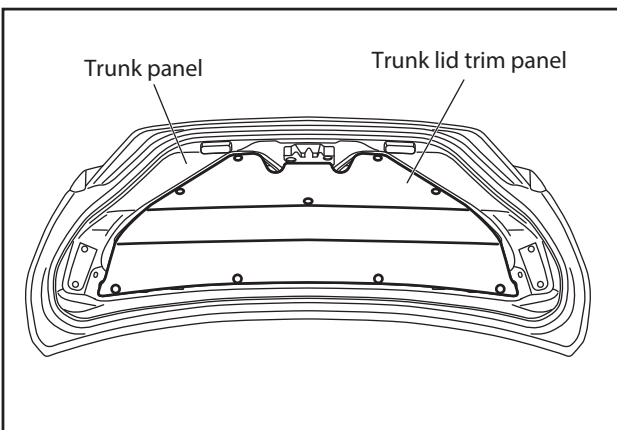
NOTE

This step only applies to vehicles that are equipped with a factory spoiler.

The protection seals are not needed for vehicles without a factory spoiler. Proceed to the next section for more details.

For the subsequent work procedure, go on to Section 6 on page 7.

The work described in the following section is applicable to vehicles not equipped with the factory trunk spoiler.



4. Removing trunk lid trim panel

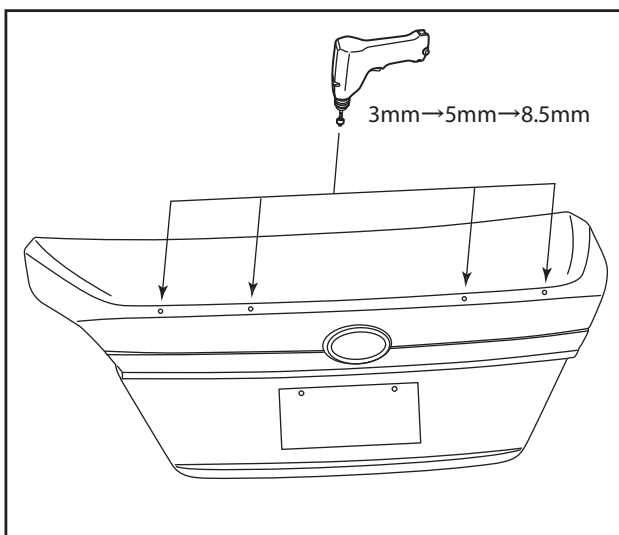
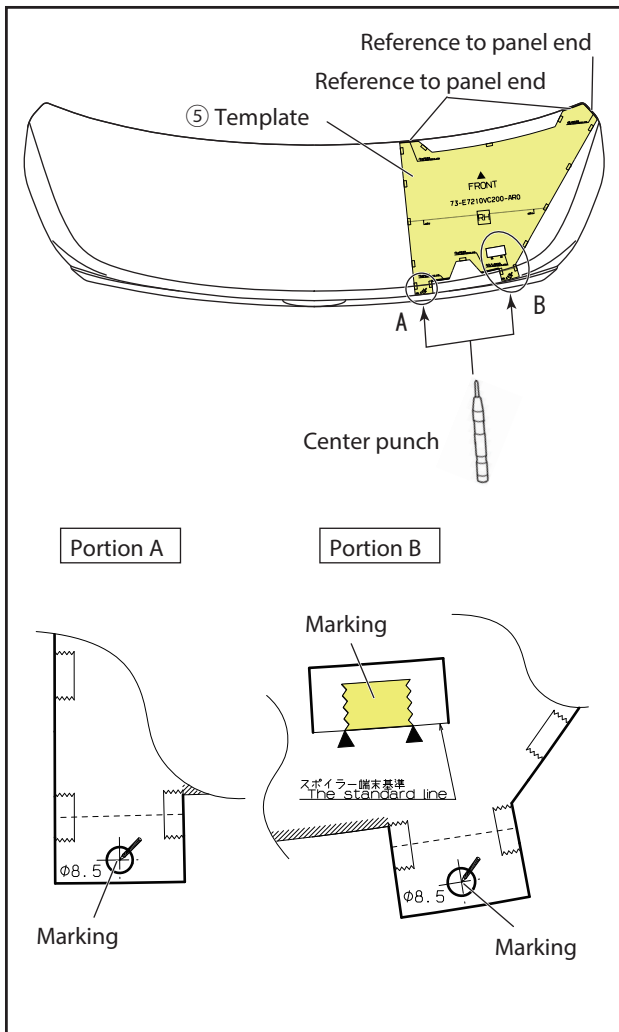
(1) Remove the clips, and then remove the trunk lid trim panel.

Fixing clip (9 locations)

CAUTION

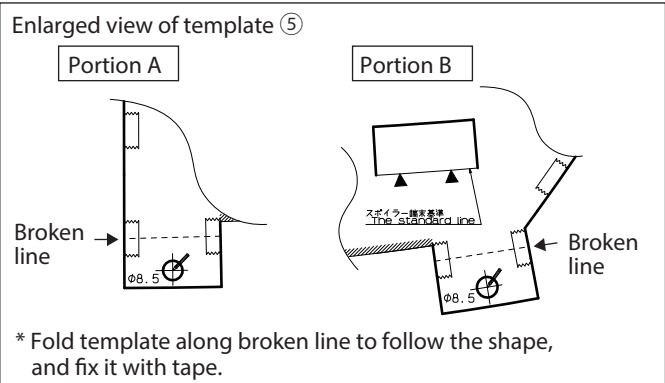
The removed trunk lid trim panel and clips will be reused. Be careful not to damage or lose them.

*The work for the RH side is explained.
Perform the same work for the LH side.



5. Preparation for installation (on vehicle side)

- Referring to the figure on the left, attach the template ⑤ to the exterior panel of the trunk with masking tape or the like.



- Referring to the portions A and B in the figure on the left, make a mark with a center punch or the like at the center of each drilling position on both templates. (4 locations)
- Referring to the portion B in the figure on the left, make a mark with masking tape or the like at the part installation position. (2 locations)

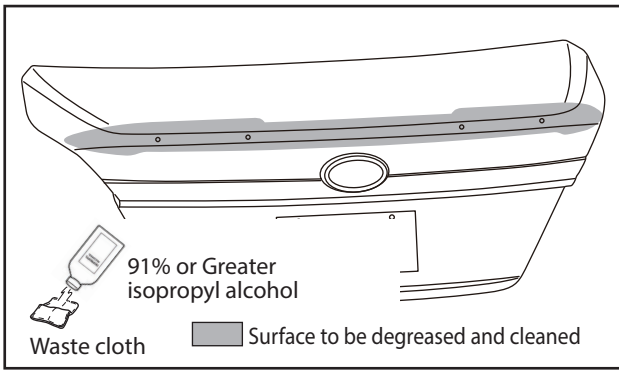
CAUTION The masking tape attached to the portion B is used to decide the part installation position.

- Perform the same work for the LH side.
- Apply a drill to the center of the position marked in the step (2) to make a prepared hole with a 3 mm drill bit and 5 mm drill bit (2 locations each on RH and LH, 4 locations in total)
- After making the prepared hole, make a hole with a 8.5 mm drill bit. (2 locations each on RH and LH, 4 locations in total)

CAUTION Before the work, make a stopper with fabric adhesive tape to a position approximately 5 mm away from the tip of the drill bit to prevent interference with the drill.

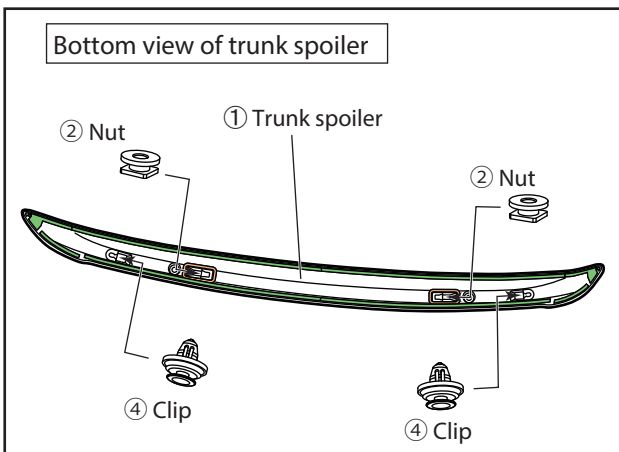
CAUTION Be careful not to leave chips inside the panel during the work.

- Finish the drilled holes with a file to eliminate burrs or the like.
- Apply a rust preventive treatment to the drilled holes using a touch-up pen or the like.



- (9) Referring to the figure on the left, degrease the trunk surface with a waste cloth soaked with a 91% or greater isopropyl alcohol.

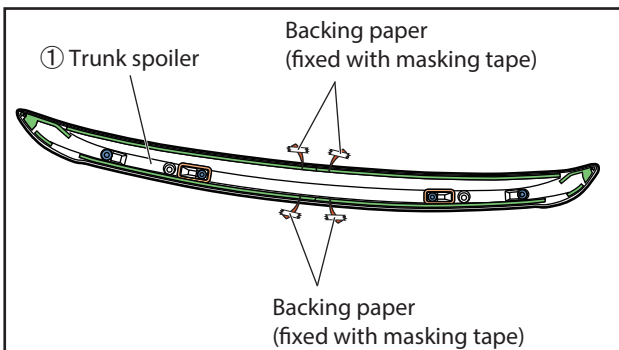
The work described from the following section is the common work to install any trunk spoiler.



6. Preparation for installation (trunk spoiler side)

- (1) Referring to the figure on the left, attach the nuts ② to the inner holes on the back side of the trunk spoiler ①. (2 locations)
- (2) Referring to the figure on the left, attach the clips ④ to the outer holes on the back side of the trunk spoiler ①. (2 locations)

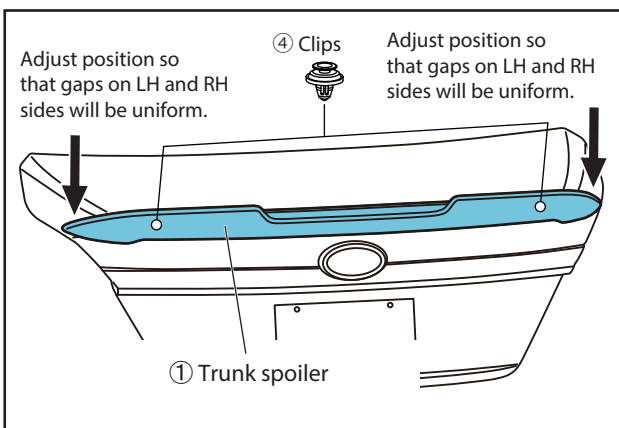
CAUTION Paint may be peeled off while the nuts or clips are installed, but it is not a problem.



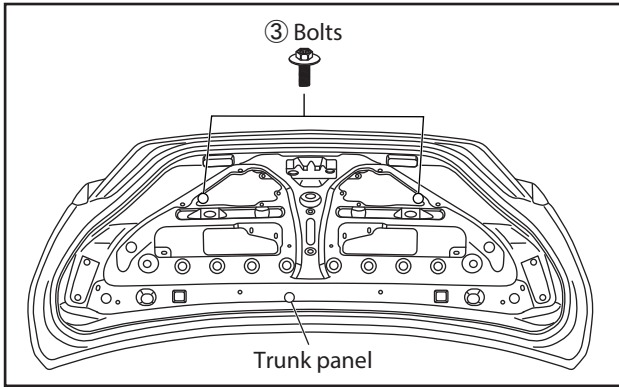
- (3) Peel off each of the backing paper of the double-sided tape attached on the trunk spoiler ① by approximately 3 to 5 cm from the end, bend it outward, and attach it to the front side with masking tape. (4 locations)

Installation procedure

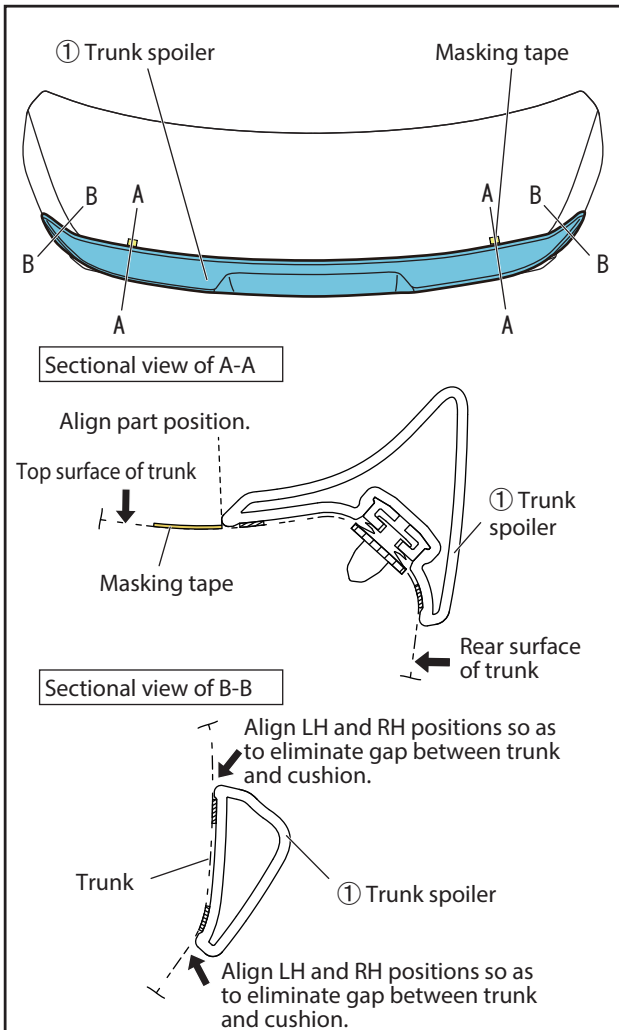
7. Installing trunk spoiler



- (1) Install the trunk spoiler ① with the clips ④ attached to it aligned to the outer side of each installation hole. (2 locations)
- (2) After installing the trunk spoiler ①, adjust the position by referring to the figure on the left so that the gaps indicated by arrows will be uniform on the LH and RH sides.

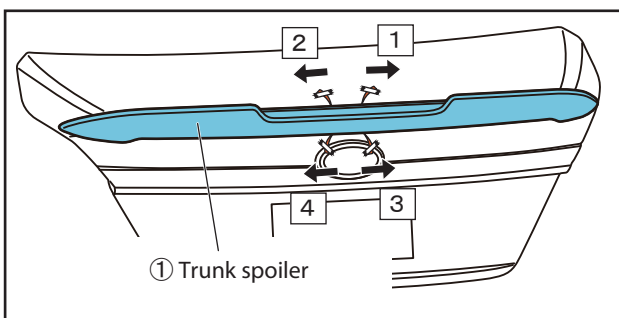


- (3) Temporarily fix the nuts attached to the trunk spoiler ① and the inner side of each installation hole with the bolts ③.
- (2 locations)



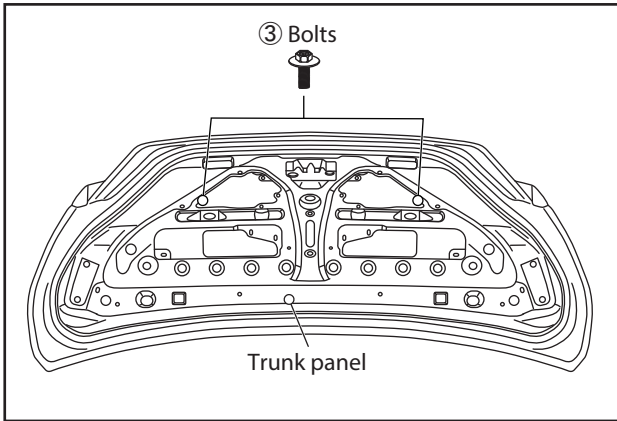
- (4) Referring to the sectional view of A-A in the figure on the left, adjust the trunk spoiler ① to the installation positions marked with masking tape.
- (2 locations)
- (5) Referring to the sectional view of B-B in the figure on the left, make sure that the gaps on the LH and RH sides of the trunk spoiler ① are eliminated.

<p>CAUTION</p>	<p>Be sure to install the trunk spoiler onto the top surface of the trunk first. Then, start the installation to the rear surface of the trunk.</p>
----------------	---



- (6) Pull the backing paper attached on the top surface of the trunk outward from the center, and firmly press the entire double-sided tape area with a force of 49 N or more.
- (7) Pull the backing paper attached on the rear surface of the trunk outward from the center, and firmly press the entire double-sided tape area with a force of 49 N or more.

<p>CAUTION</p>	<p>The double-sided tape must be firmly pressed for at least 10 seconds with a force of 49 N or more.</p>
----------------	---

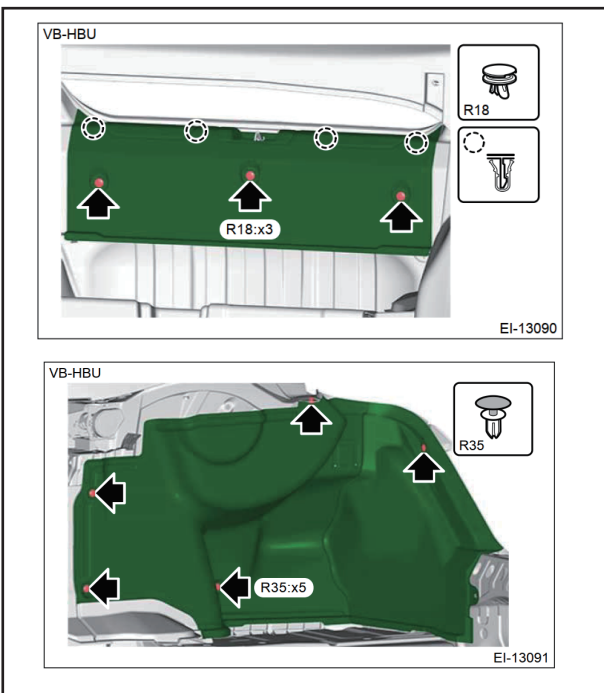


(8) Finally tighten the bolts ③ temporarily fixed in the step (3).

③ Bolt: Tightening torque of $4.0 \text{ N}\cdot\text{m} \pm 1.0 \text{ N}\cdot\text{m}$
(2 locations)

8. Preparation for removal of torsion bars

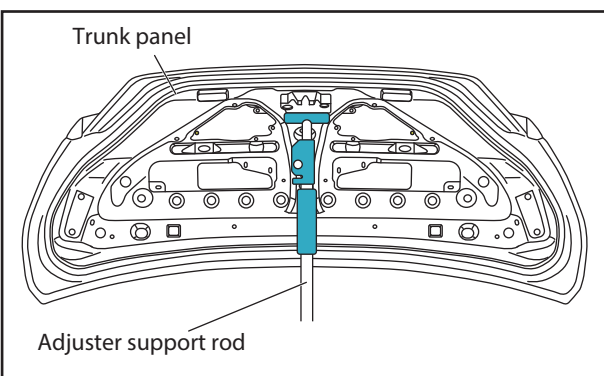
The work described from the following section is applicable to vehicles not equipped with the factory trunk spoiler.
For a vehicle equipped with the factory trunk spoiler, go on to Section 13 on page 12.



(1) Remove the trunk mat, sub-trunk box, and rear floor side spacer.

(2) Disengage the clips and tabs, and remove the trunk rear trim panel.

(3) Remove the clips, and then remove the trunk side trim panel.



(4) Fix the trunk panel with the adjuster support rod.

 CAUTION

Insufficient fixing of the adjuster support rod may cause falling of the trunk panel, which can lead to injury during the work or damages on the vehicle.

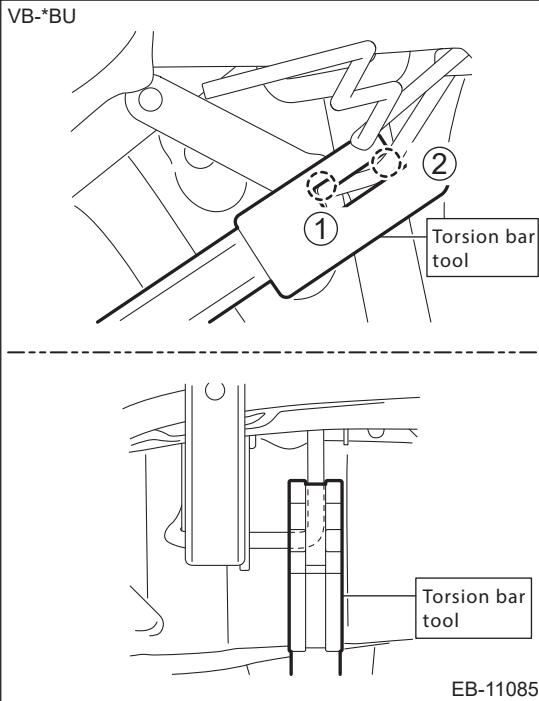
9. Removing torsion bars

This work uses the remover (99099FL000).

When the removal work of torsion bars has been finished, go on to Section 10 on page 11.



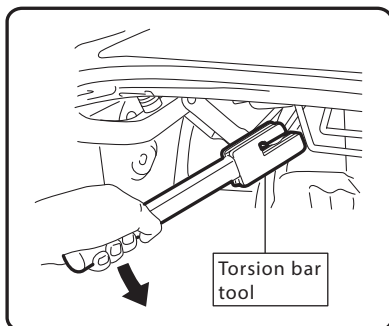
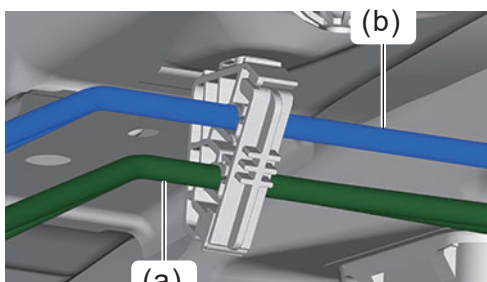
Handle the torsion bars carefully during the installation or removal work as they have a reaction force. When removing the torsion bars, exercise caution because the trunk may close suddenly. Make a mark on each of the LH and RH torsion bars.



Attach the remover to a torsion bar by the following procedure.

- (1) Hook the inner plate of the torsion bar tool onto the U-shaped end of the torsion bar.
- (2) Make a contact between the bottom surface of the torsion bar tool and the torsion bar.

VB-*BU



(a) in the figure: RH torsion bar
(b) in the figure: LH torsion bar

- (1) Disengage the bracket clip.
- (2) Remove the torsion bars from the clamp shape portion of the bracket clip.
- (3) Remove the bracket clip from the vehicle body.



Use a small flathead screwdriver to securely press the center of the bracket clip from both sides in the vehicle lateral direction. The clip tabs are found on both sides.

- (4) Remove the LH torsion bar from the U-shaped portion of the RH hinge link.
- (5) Use the torsion bar tool to remove the right end of the LH torsion bar from the RH hinge bracket.
- (6) Remove the left end of the LH torsion bar from the LH bracket.
- (7) Remove the LH torsion bar from the U-shaped portion of the RH hinge link.
- (8) Use the torsion bar tool to remove the left end of the RH torsion bar from the LH hinge bracket.
- (9) Remove the right end of the RH torsion bar from the RH hinge bracket.

10. Installing torsion bars



Handle the torsion bars carefully during the installation or removal work as they have a reaction force. Be careful when removing the torsion bars because the trunk may close suddenly. Make a mark on both LH and RH torsion bars.

- (1) Install torsion bars in a separate package.
- (2) Install the torsion bars in the reverse order of removal.

11. Restoring trunk room trim

- (1) Install the trunk side trim panel and trunk lid trim.

12. Check or inspection after installation work

- (1) Open and close the trunk lid to check that there is no abnormality (malfunction or abnormal noise) during the open/close operation.
- (2) Check for any looseness, inclination, coming-off of bolts, and others in the installed area, and make corrections if necessary.
Finally, check that there is no scratch, dirt, or the like.

The installation work has been completed.

Revision history

Δ	Content	Date
	Newly created	December 17 , 2021