



SUBARU

INSTALLATION INSTRUCTIONS

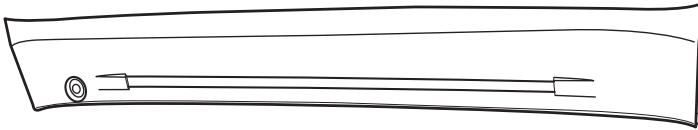
PART NUMBER: H461SXC200

DESCRIPTION: Cargo Area Lighting Kit

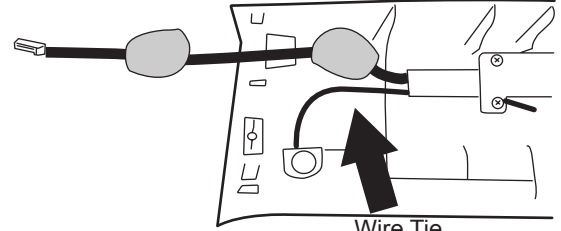
KIT CONTENTS:

1. Illuminated Cover Assembly
2. Wire Tie (1) (Inserted into Illuminated Cover Assembly)

1.

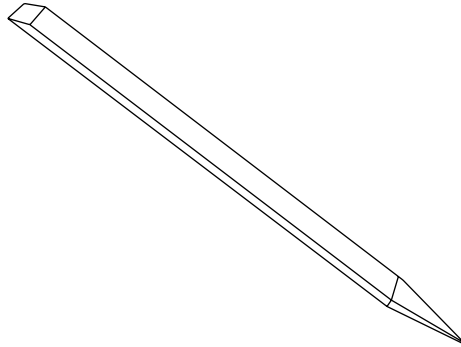


2.



Wire Tie
(Detach and save for installation at step 5)

Panel Safe Tool



MEANING OF CHARACTERS:



Denotes quality processes to be checked prior to moving to the next step.



Denotes specific tools that are necessary to complete the step.



Denotes cautions to be taken to avoid physical injury or electronic component damage.



Denotes cautions to be taken to avoid vehicle and component damage.



Direction



Disconnect



Remove



Connect



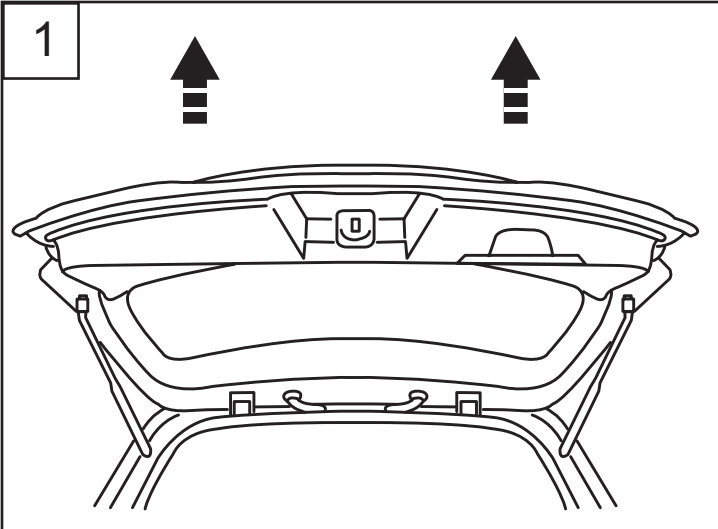
Claw



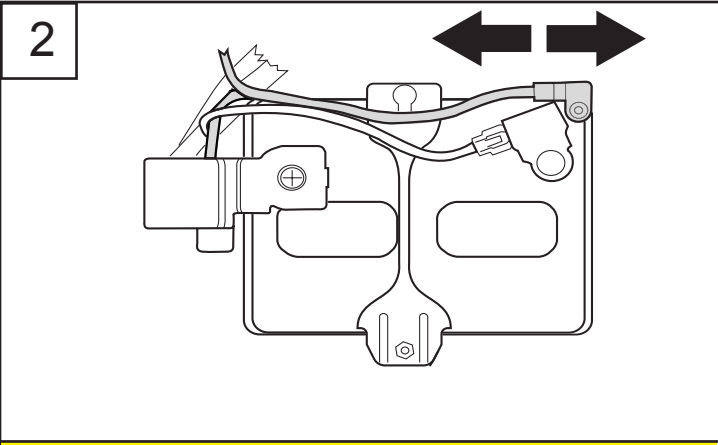
Clip

PREPARATION - BEFORE INSTALLATION:

1. This product should be installed with proper installation tools.
2. Install this product while observing all warnings and precautions stated in this instruction booklet.
3. Read entire installation guide prior to beginning the installation of the accessory.
4. Ensure vehicle is properly protected from damage during installation.
5. Never place tools or parts on top of painted surfaces, seats, dash pad, console or floor carpet / mat.
6. Always wear appropriate safety gear to include gloves and eye protection when required.



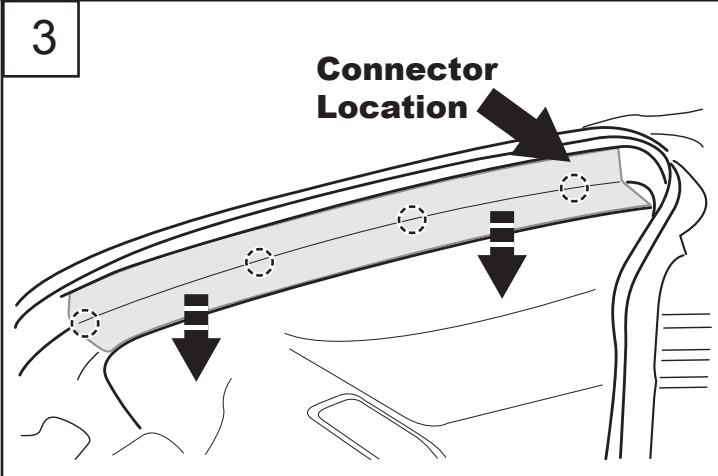
Open rear gate before disconnecting battery.



Shock hazard present

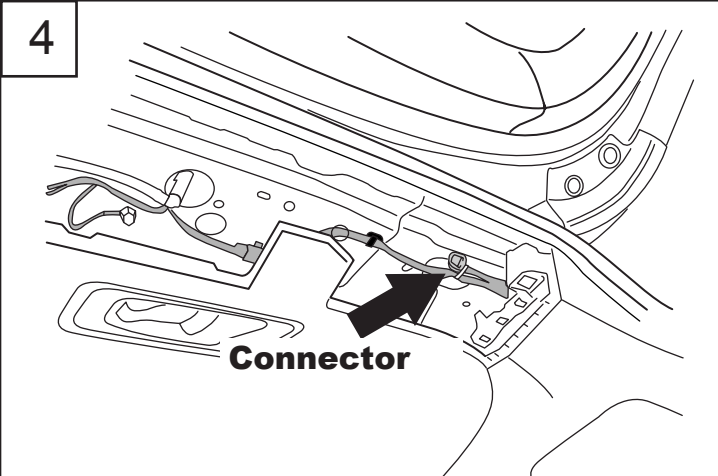
Socket and Ratchet

Disconnect ground terminal from the battery sensor. Wait at least 60 seconds before starting work.

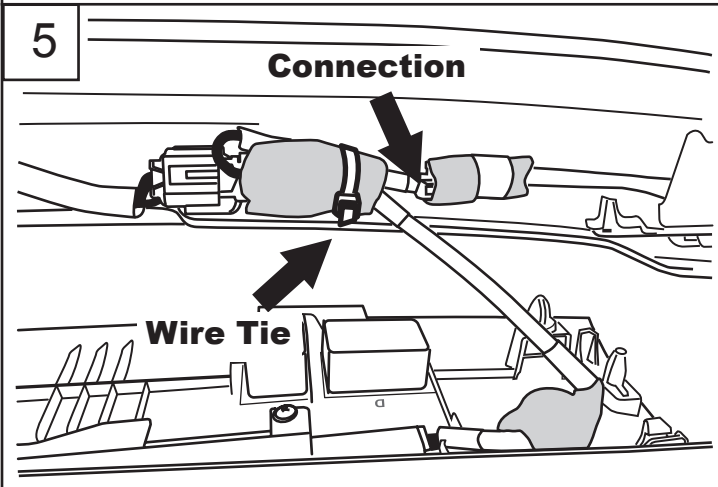


Panel safe tool

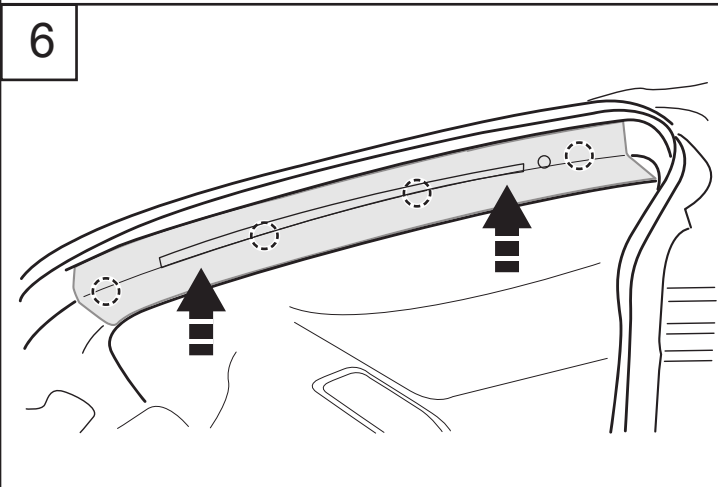
Loosen clips and remove trim panel assembly.



Locate the illuminated cover assembly connector.

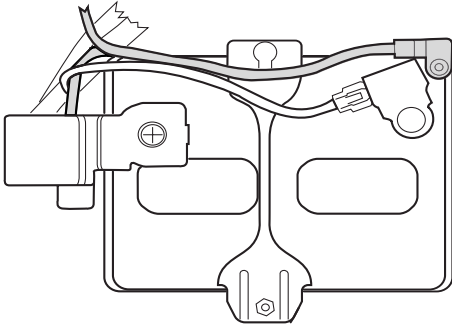


Connect harness to illuminated cover assembly. Bundle excess wire and secure the wire harness with (1) wire tie.



Install illuminated trim panel cover assembly.

7



8

Verify Luggage room light is on

Verify upper trim panel is illuminated

If light is off press on-off switch located on right side of trim piece

 Shock hazard present.

 Socket and Ratchet

Reconnect ground terminal from the battery sensor.
Wait at least 60 seconds before starting vehicle.



Test illuminated trim panel.