



Battery Holder Installation and Instruction Manual

- Thank you for purchasing this product.
- This manual provides installation and handling instructions for this product, and precautions to be observed.
- Before using this product, be sure to read "Safety Precautions" and use the product properly.
- Keep this manual in a safe place, such as the glove box, and refer to it whenever necessary.

Important precautions are indicated with the following marks. Be sure to observe those precautions.

Warning	Precautions that you must observe for your safety. [Failure to observe these precautions may result in death or serious injury.]
Caution	Precautions that you must observe for your safety and for your vehicle. [Failure to observe these precautions may result in damages or accidents.]
* Advice	Information that you should familiarize yourself with. Information that are useful.

Warning

- Never attempt to modify this product. This may damage the product and may become cause of serious accidents.
- Be sure to stop the engine during work for safety reasons.
- Be sure to tighten bolts and nuts firmly.
- Inspect the nuts and bolts after the first 60 miles (100 km) of driving after attaching them. Re-tighten them if necessary.
- If abnormal noise or vibration occurs while driving, pull over the car immediately to a safe place, and then inspect and re-tighten the attaching bolts. If abnormalities persist, perform inspection and make necessary repairs immediately. If you continue to drive in this condition, damages or accidents may occur.
- Stop using this product immediately if it has defects such as deterioration and breakage, or receives a strong impact, as these conditions impair the product's original performance.
- Make sure that no part comes in contact with the battery while working.

Caution

- This product does not improve the limit performance significantly. Always drive safely.
- Do not use this product on inapplicable vehicles or for purposes other than it is designed for. Doing so may result in damages or accidents.
- Install this product in accordance with the service manual issued by SUBARU CORPORATION for your model. Also make sure to adhere to the precautions described in this document.
- If bolts and nuts are not tightened with specified torque while installing this product, they may be damaged or become loose. Make sure to tighten them with the specified torque.
- After installing this product, the fluid should be replenished or changed at a SUBARU dealer.

*Advice

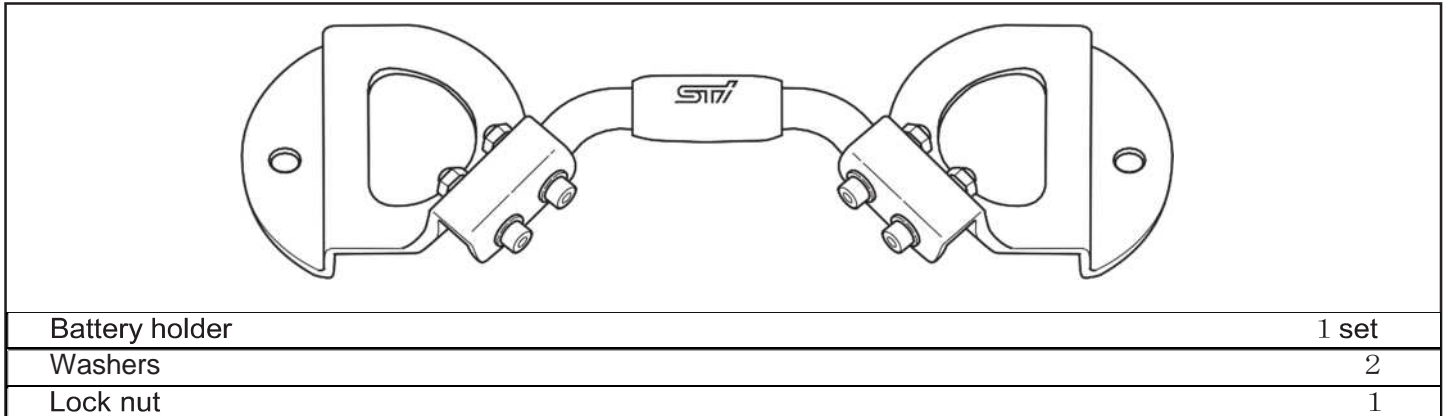
- SUBARU shall not be held liable for any direct or indirect damage due to failures or other malfunction caused by incorrect installation or handling of this product.
- SUBARU does not honor warranty claims for malfunctions of products or vehicles that occur directly or indirectly due to the installation of this product.
- Malfunctions of vehicles that could occur due to the installation of this product may not be covered by the SUBARU vehicle warranty.
- When replacing parts with this product, be sure to use genuine SUBARU parts for non-reusable parts, consumables, oil and grease.
- Product specifications are subject to change without notice.
- Installation of this product may cause deterioration in ride comfort or significant changes in driving characteristics.

Installation Procedures

1. Part Number and Applicable Models

Part No.	Part Name	Applicable Models
SG980VA000	STI BATTERY HOLDER	Vehicles with D-size battery

2. Components



3. Specifications

This battery holder is designed as a homage to the flexible tower bar. The brackets, bars, and rubber boots are made of the same material as the flexible tower bar and have the same surface treatment.

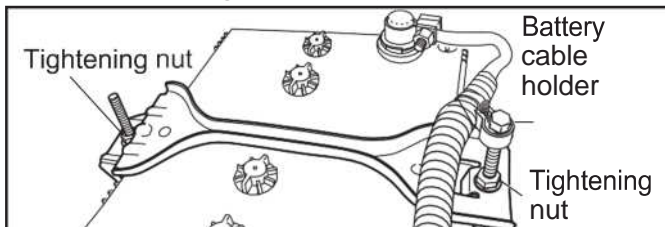
4. Installation Precautions

⚠ Warning

- To ensure safety, make sure to shut off the engine and disconnect the negative battery terminal before performing any procedures.
- Make sure to properly tighten nuts.

5. Procedure

- (1) Disconnect the negative battery terminal.
- (2) Remove the battery cable holder from the battery rod.
(for vehicles equipped with a battery cable holder)
- (3) Remove the 2 tightening nuts and then remove the original factory batter holder.



⚠ Warning

To ensure safety, make sure to shut off the engine and disconnect the negative battery terminal before performing any procedures.

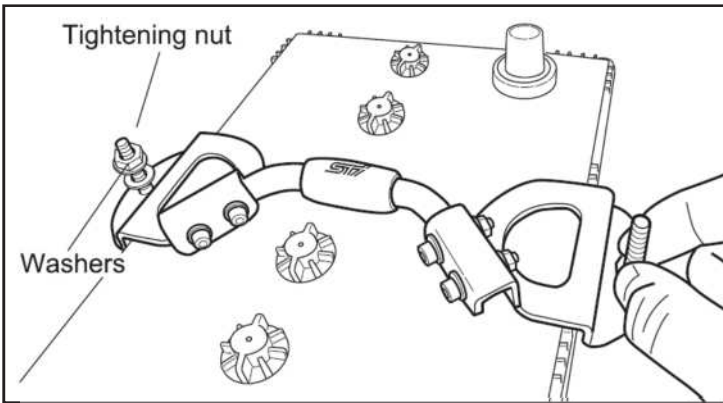
⚠ Caution

Be careful not to short-circuit the battery terminals with the battery holder or tools.

*Advice

Disconnecting the battery will reset audio and other settings. Make a note of these settings before disconnecting the battery.

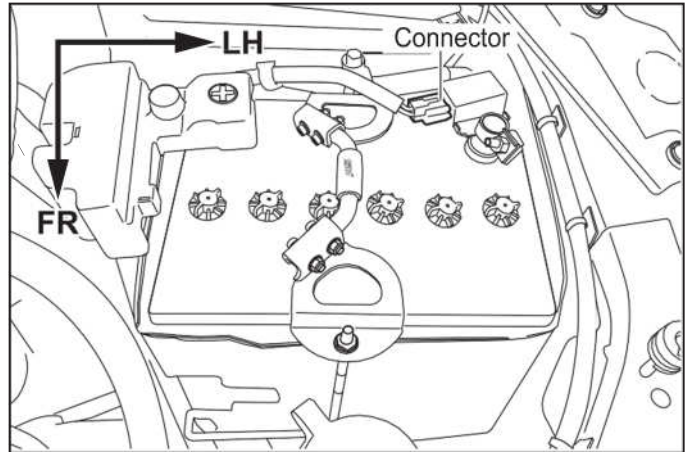
- (4) Place the battery holder onto the center of the battery. Set the washers first and then tighten the tightening nuts by hand evenly on both sides.



If the battery holder and battery cable connector are close to each other, follow the special instructions **⚠ Caution** to the right.

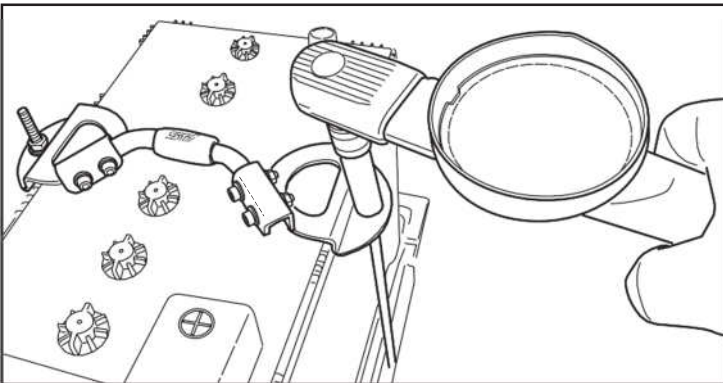
⚠ Caution

For vehicles in which the battery holder and battery cable connector are close to each other, arrange the battery cable connector as shown in the figure so that it will not interfere with the battery holder. Arrange so that the battery holder does not catch on the battery fluid vent plug.



- (5) Use a torque wrench and tighten each nut to 0.5 N·m.

* Tightening torque: $3.5 \pm 0.5 \text{ N}\cdot\text{m}$ (0.35 kg f·m)

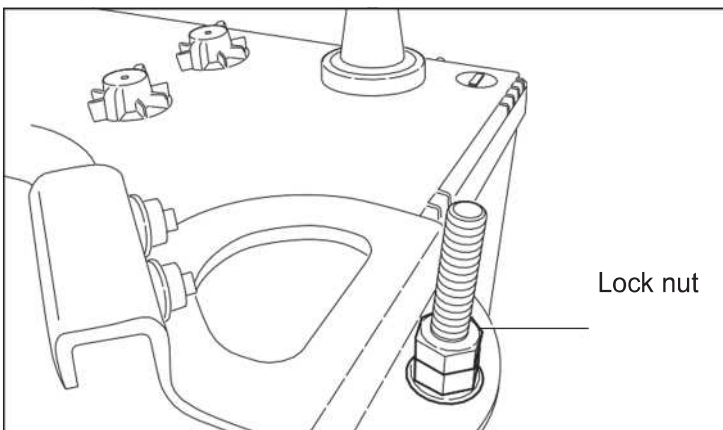


⚠ Caution

Tighten nuts per the specified torque. Tightening parts outside of the specified torque may cause rods and nuts to loosen or become damaged.

- (6) Tighten the lock nut attached to one of the tightening nuts to the specified torque.

* Tightening torque: $5.0 \pm 0.5 \text{ N}\cdot\text{m}$ (0.5 kg f·m)



⚠ Caution

When tightening the lock nut, make sure that the tightening nut does not turn.

- (7) Reconnect the disconnected battery terminals.
- (8) Install the battery cable holder to the battery rod.
(for vehicles equipped with a battery cable holder)
- (9) Reconfigure audio settings and the clock.
- (10) Check the installed parts for any looseness or tilting and correct as necessary.

To customers

Handling Precautions

Caution

- We recommend that this product be installed at an authorized SUBARU maintenance facility to ensure proper installation and function.
- Stop using the product immediately if significantly deformed.
- Tighten parts per the specified torque. Tightening parts outside of the specified torque may cause rods and nuts to loosen or become damaged.
- Installation nuts should be checked and tightened if necessary 60 miles (100 km) of vehicle travel after installation and periodically afterwards.