



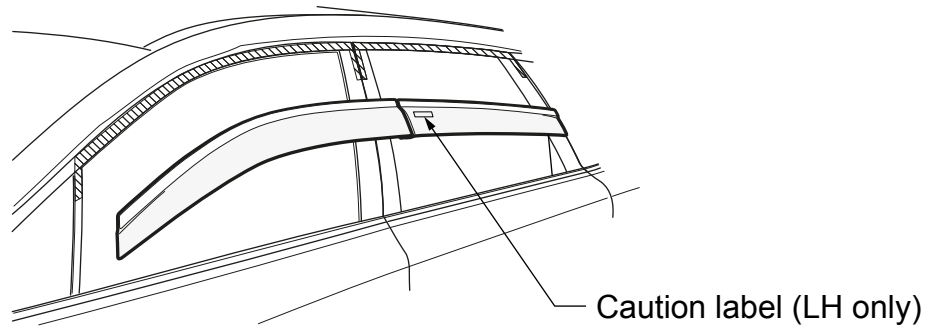
**SUBARU**

Ascent

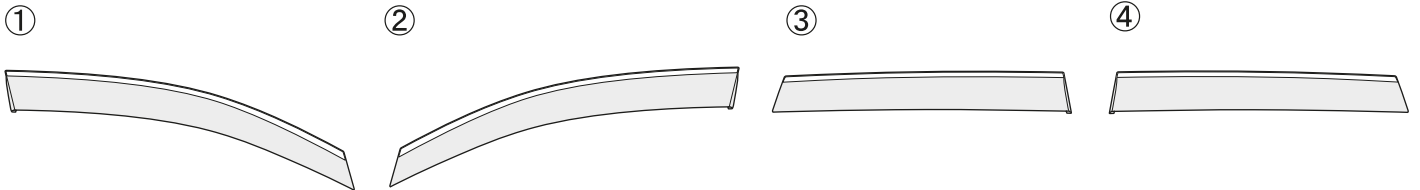
## SIDE WINDOW DEFLECTOR

INSTALLATION INSTRUCTION

PART NUMBER: F001SXC000



Please remove this caution label, in the case of Canadian market.



Gloves



Rag



Isopropyl alcohol



Hair dryer / heat gun

### CAUTION

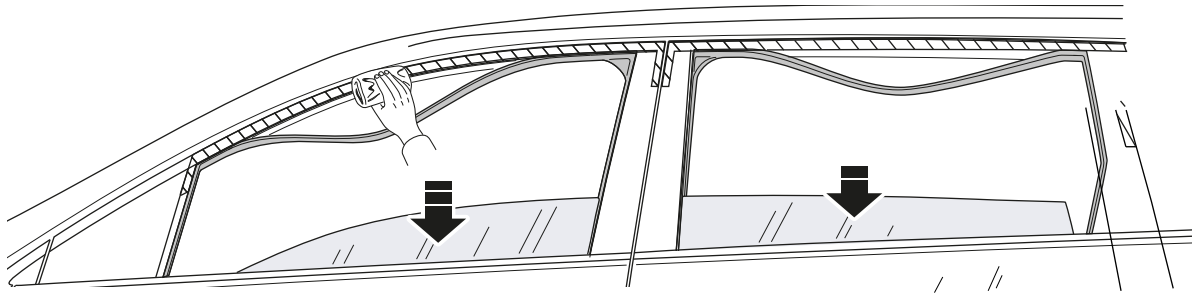
- Side window deflectors may not be legal in all states. Please check the laws of your state.
- Please peel off the protection tape affixed to the side window deflector stainless steel molding before installation.

Never use gasoline, thinner, acid, alkali, or other organic solvent.



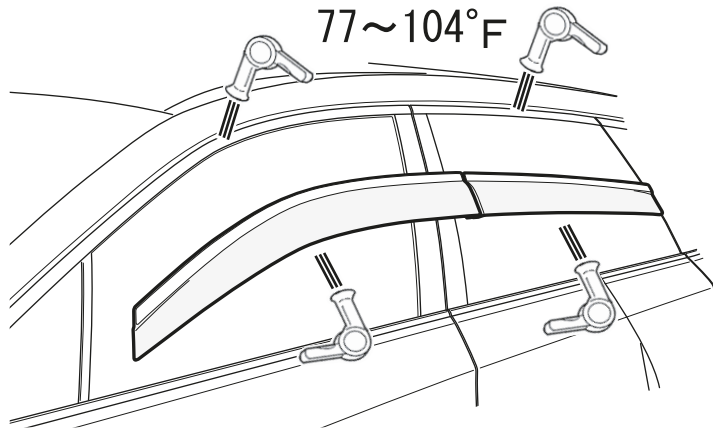
1

- Pull down run channel gasket in the middle area of each window.



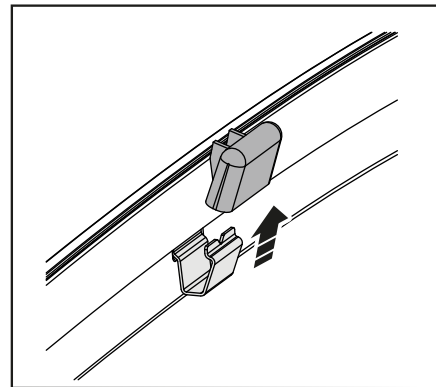
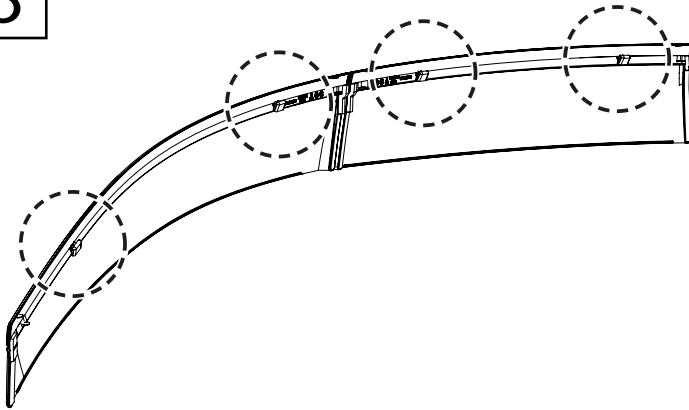
2

77~104°F



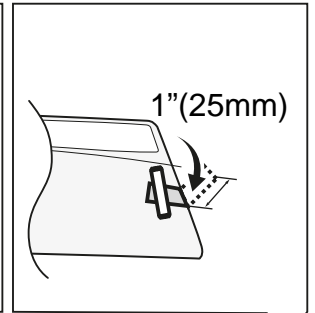
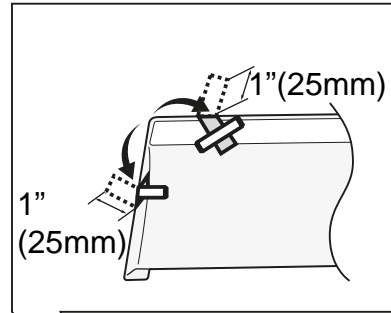
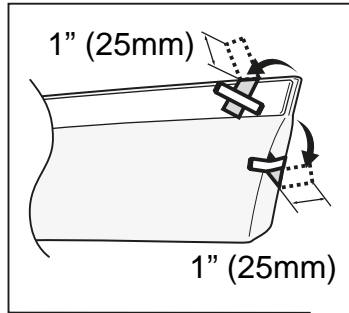
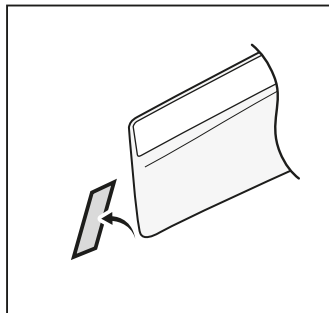
3

- Remove and discard the plastic clip covers from the front and rear wind deflectors clips.



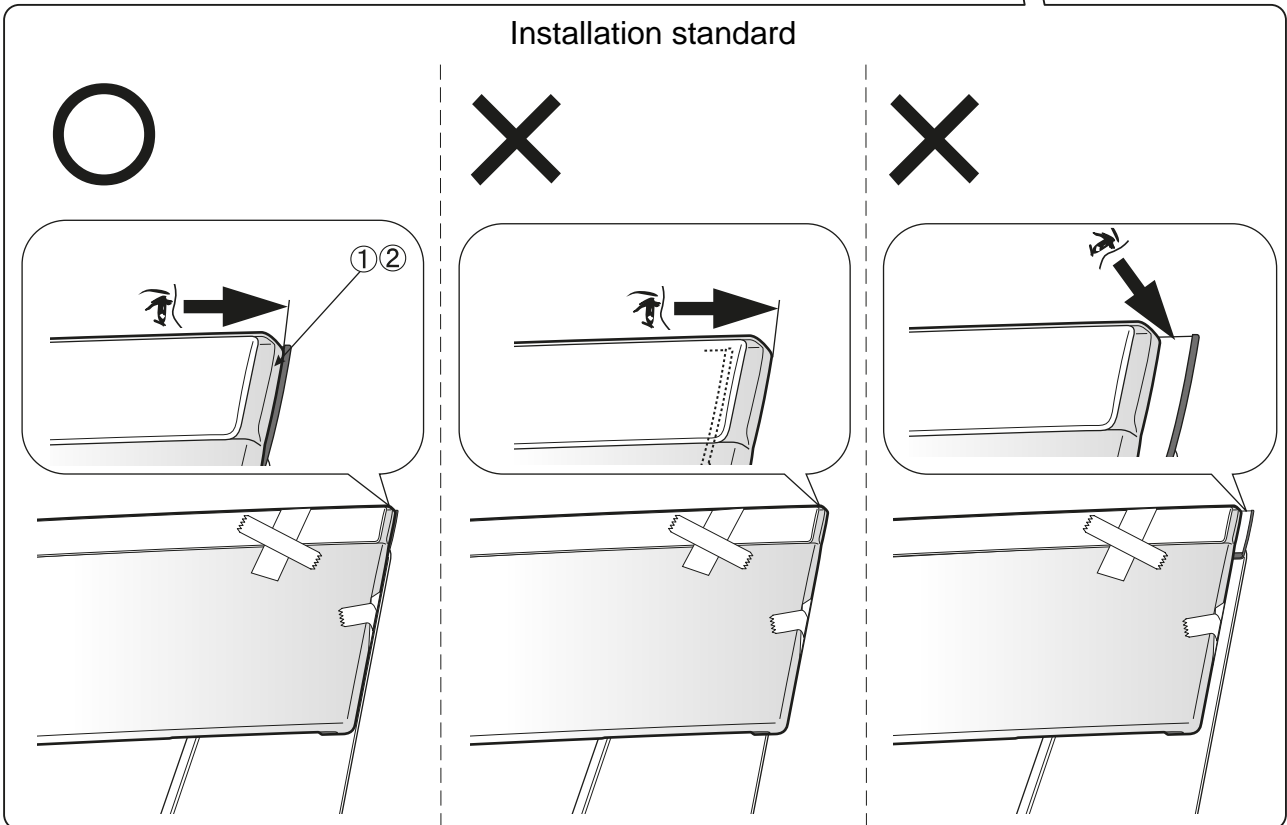
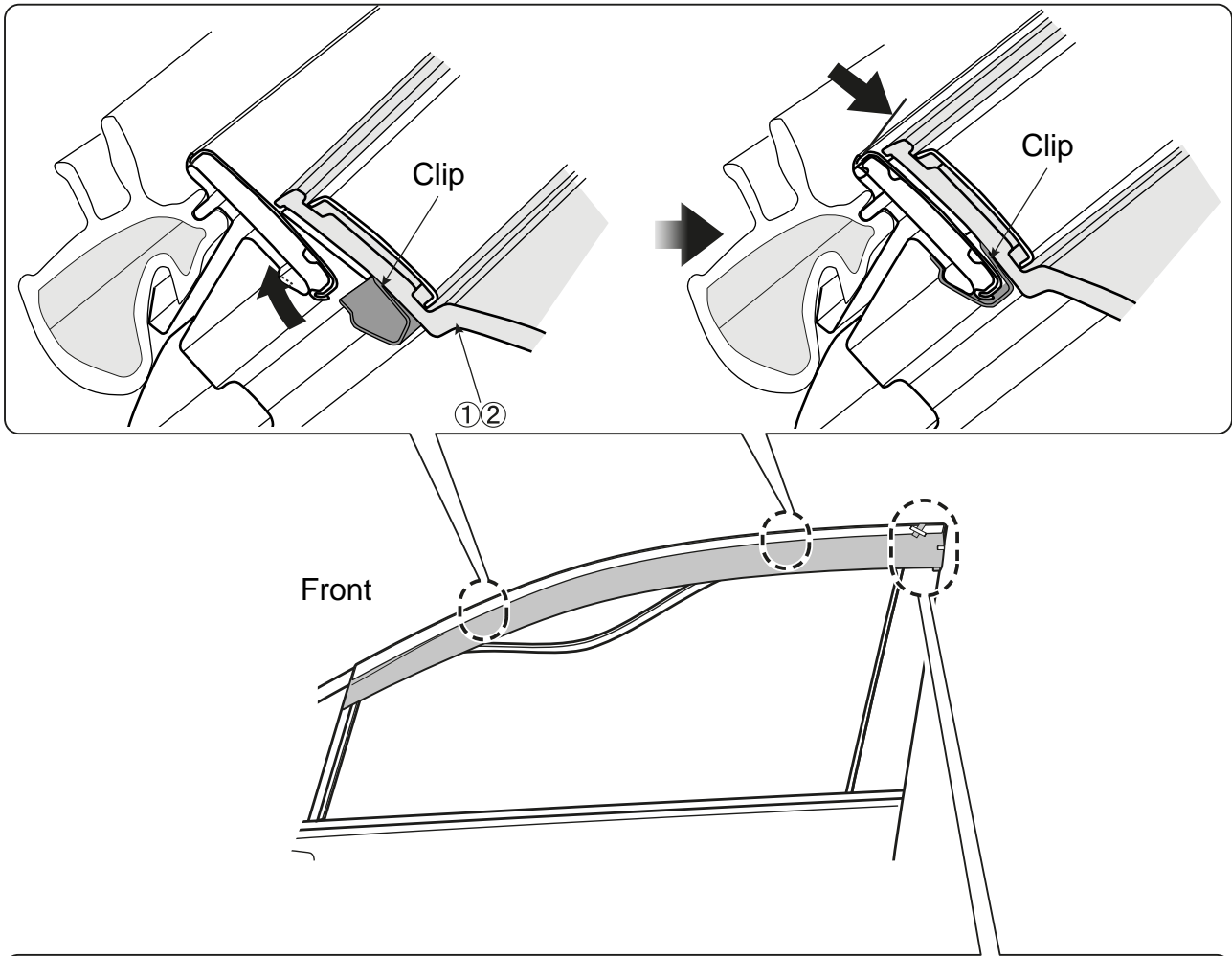
4

- Pull tape backing approximately 1" (25mm) as shown.



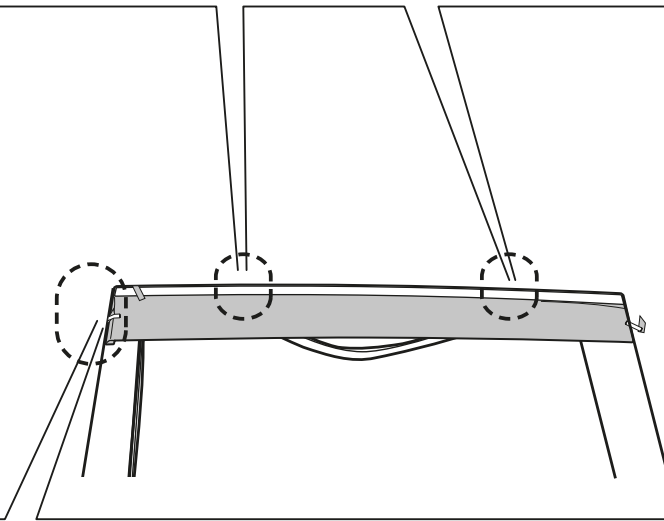
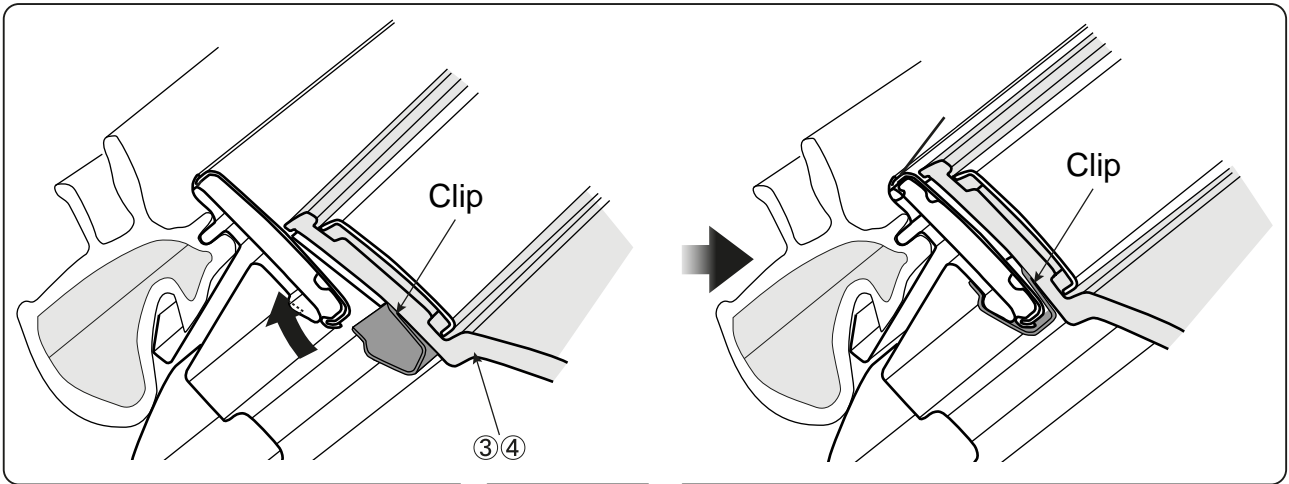
5

- Check for proper alignment of side window deflector with front door.

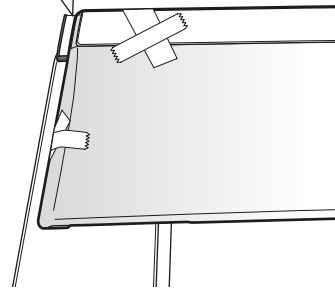
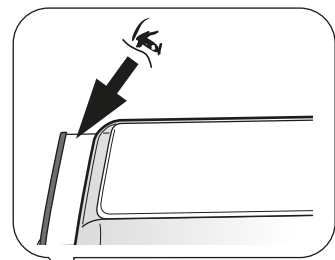
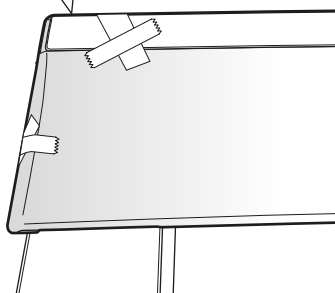
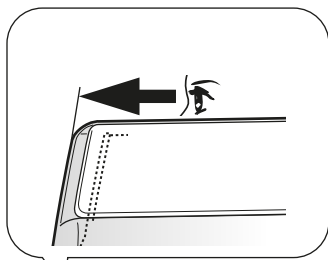
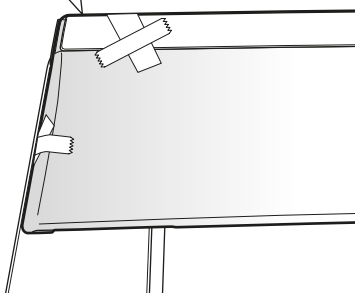
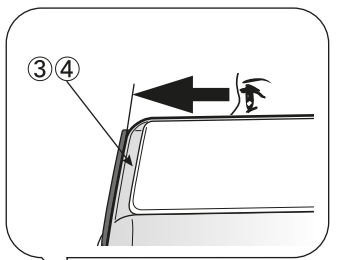


6

- Check for proper alignment of side window deflector with rear door.

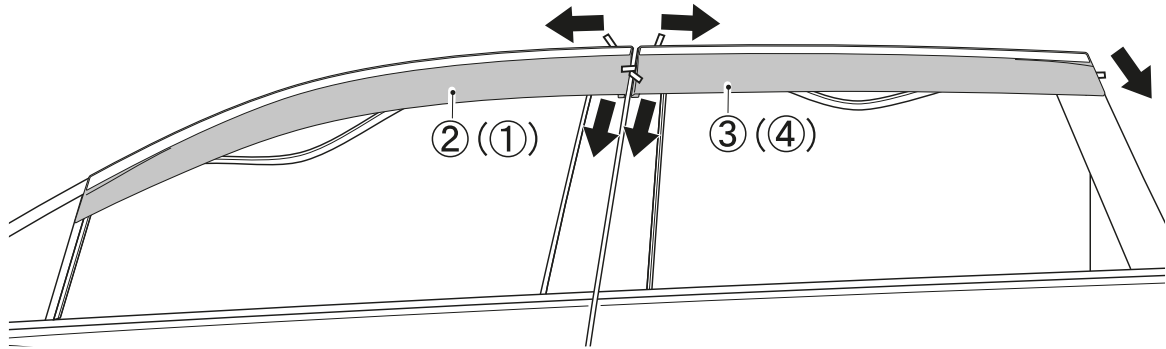


Installation standard



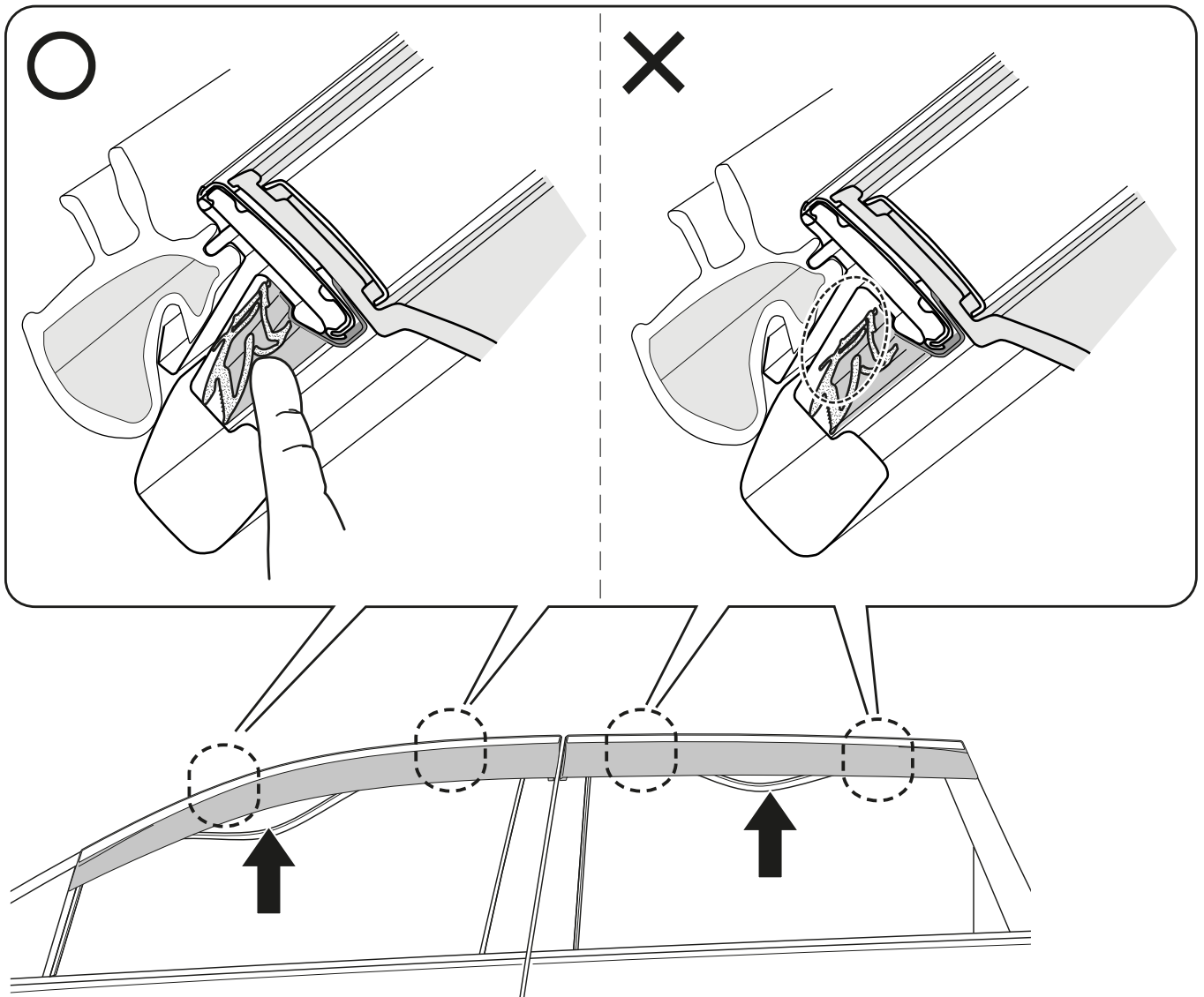
7

- Pull tape backing in order shown.



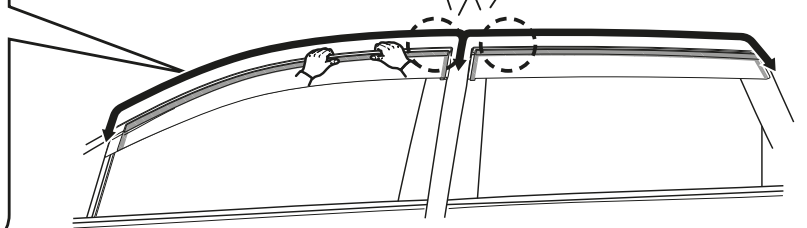
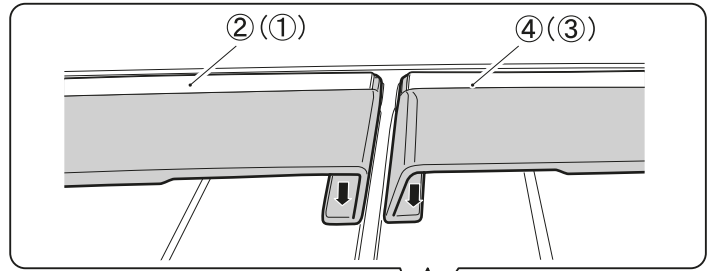
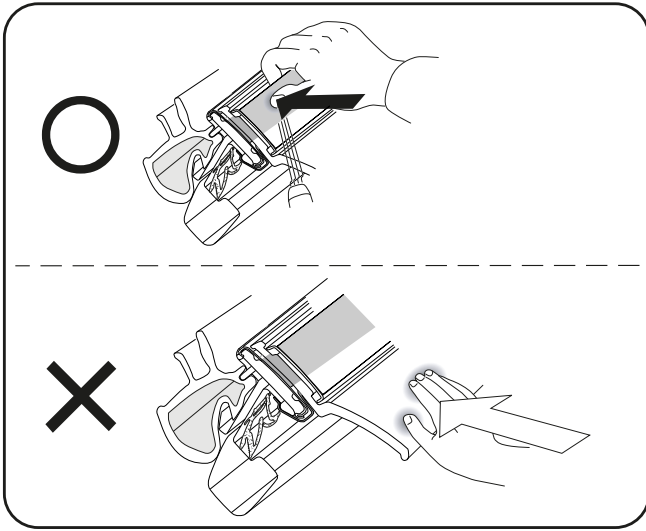
8

- Reinstall the run channel gasket.



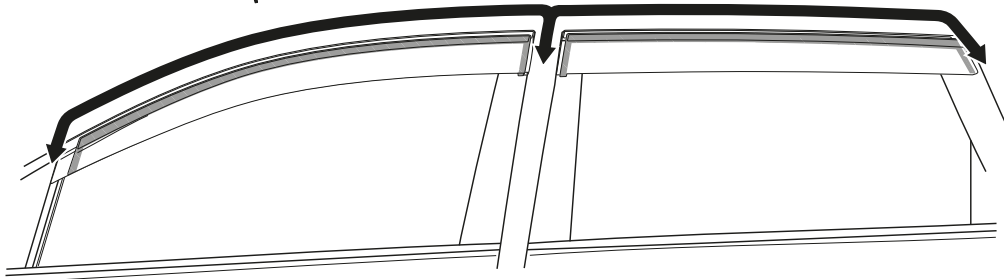
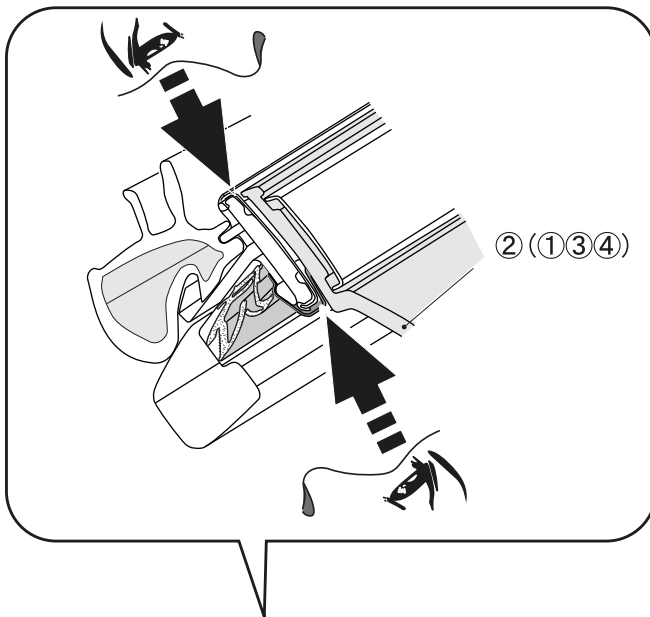
9

- Apply firm pressure (approximately 12 lbs) on side window deflectors blade directly over tape area.  
Do not attempt to seat the tape by pushing on lower portion of the side window deflectors.



10

- Visually check for proper installation.



Do not wash the vehicle for 24 hours following installation.