



REAR BUMPER TRIM

Installation manual

Genuine SUBARU part numbers: E5510SL200 (Turquoise blue)
 E5510SL220 (Silver)
 Vehicle model: FORESTER 2025MY~

To installation worker

This manual describes how to install and handle REAR BUMPER TRIM.

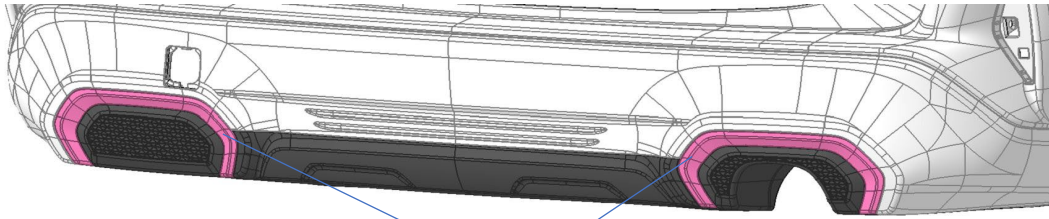
1. Before installation, be sure to read this manual for proper work.
2. The caution mark △ in this manual indicates important instructions. Strictly follow them.
3. SUBARU may not be held responsible for problems that occur due to your failure to follow this installation manual.

△ Important instructions

1. Before starting installation work, move the vehicle to a safe location.
2. To work safely, make sure that the vehicle does not move.
 (Make sure to apply parking brake.)
3. After turning the ignition off, disconnect the battery ground terminal.
4. Handle this product with care not to damage it or the vehicle.

Rev. No.	Revision content	Date
00	New establishment	2023/8/9

Completed installation sketch



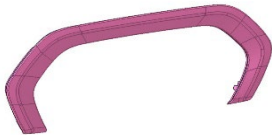
Rear Bumper Trim

Component parts

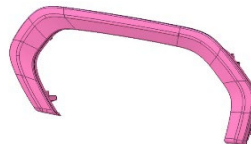
■ E5510SL200 (turquoise blue) / E5510SL220 (silver)

No.	Item name	Qty
①	Rear Bumper Trim RH	1
②	Rear Bumper Trim LH	1

①



②



Tools required for work



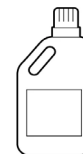
Gloves



Phillips head
screwdriver



Plastic
remover



Cleaner
(Nonane is
recommended.)



Protective
tape

Work outline

Replacement of Rear Bumper Molding

- ① Unpack the box and check that the product has no defect.
- ② Remove the rear bumper. And then remove the bumper guard.
- ③ Replace the molding of the bumper guard with this product.
- ④ Install the bumper guard to the rear bumper. And then install it to the vehicle.
- ⑤ After completing the above, check the appearance to ensure there is no scratch and such.

Work procedures

1. Remove the rear bumper.

(1) To replace the molding with this product,
remove the rear bumper from the vehicle.

- Read the service manual to do this work.
- The removed parts are reused.
Be careful not to lose or damage them during work.
- Be careful of harness connectors including sensors.
If excessive load is applied to them, wire breakage or connector failure could occur.

2. Remove the bumper guard.

(1) To replace the molding with this product,
remove the bumper guard from the bumper.

- ①. Remove the clips (2 places) that fasten the bumper guard.
- ②. Loosen the claws (13 places) and remove the bumper guard.
Remove the bumper guard from one side first (either right side or left side)
and then the other side.

⚠ Important instructions

Without removing the bumper, you cannot access some screws that fasten the molding.

② While widening, remove the claws.
(Remove them from outside (clip side).)

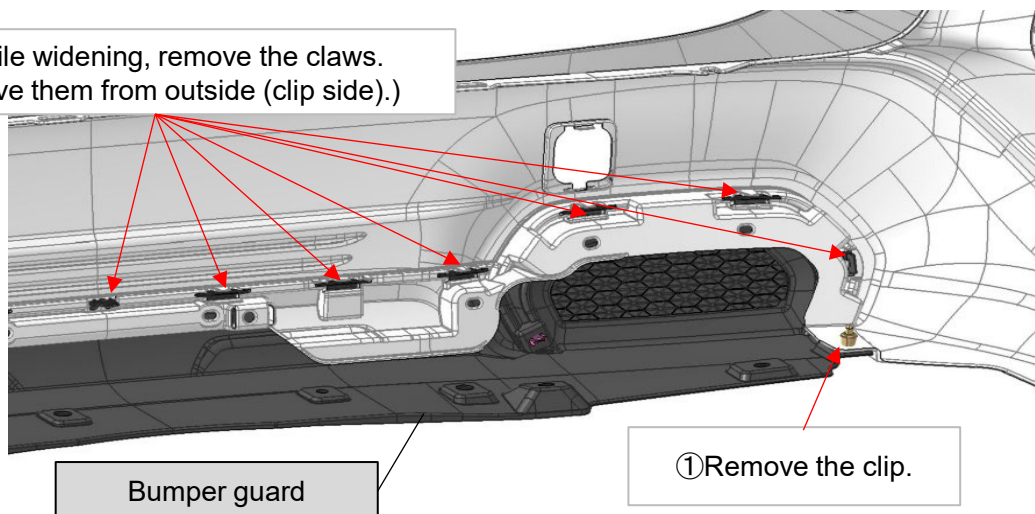


Fig. 2 Rear bumper LH when seen from the back side

3. Replace the molding with this product.

- (1) Remove the screw (one side: 1 place) that fastens the molding to the bumper guard.
- (2) While widening the claw fitting portion (on bumper guard), remove the claws (one side: 6 places) on the molding.
(A plastic remover helps remove claws easily.)
- (3) After removing all the claws, install this product to the bumper guard. Make sure that all the fitting portions are inserted.
- (4) After the replacement, fasten this product with the removed screws.
(Tightening torque: 0.8 N·m)

⚠ Important instructions

- The removed screws are used again. Be careful not to lose them.
- Be care not to damage the vehicle, this product, or surrounding parts.

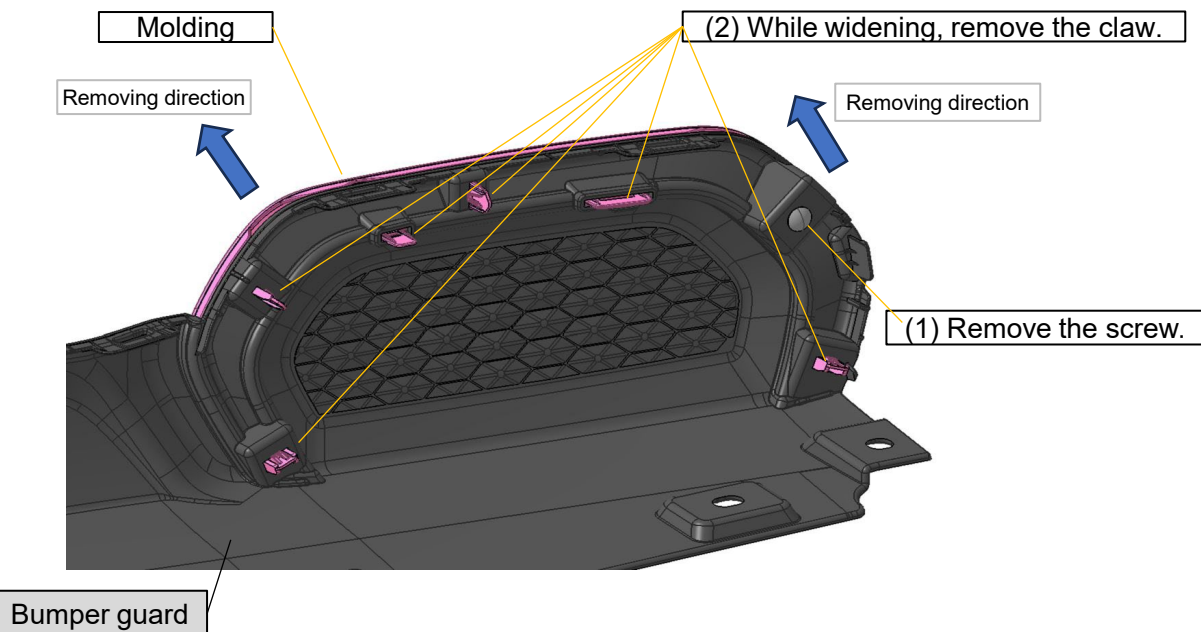


Fig. 3 Rear bumper molding LH when seen from the back side

4. Install the bumper again.

- (1) Install the rear bumper guard to the bumper.
- (2) Install the rear bumper to the vehicle.
*Install them in the reverse order to removal.
*Be care not to damage the vehicle, this product, or surrounding parts.

5. Check after replacement completion

- (1) Make sure that there is no scratch on this product or surrounding areas, and that this product is surely installed.
 - (2) Return the removed parts to the customer.
- This is the completion of molding replacement.